

Medical Pin Index Valves

O-Ring Seal Technology for all Medical Gases

HARRISON
PRECISION VALVE PRODUCTS

Yoke Outlet Pin Index System Connection NGT Tapered Threads for Steel Cylinders

KEY FEATURES:

- O-ring seal technology provides superior leak integrity.
- Easy operation under all pressures.
- Protective and attractive chrome plated finish.
- 100% leak testing on entire production.
- Meets and exceeds CGA V9 and ISO 10297.
- Passed stringent adiabatic oxygen compression testing per ISO 10297.
- All valves bagged and tagged for oxygen service per CGA G4.1.
- All valves pre-drilled to accept aftermarket toggle device.
- All straight thread inlet valves are supplied with cylinder sealing o-ring.
- All valves are supplied with a protective thread cover.

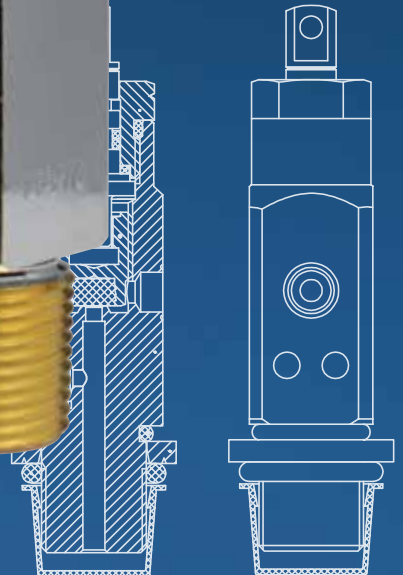
Part Number	Gas Service / Description	CGA	Inlet
P870-4-4-3360	Oxygen	870	1/2" NGT
P870-4-4-3360T	Oxygen with toggle	870	1/2" NGT
P880-4-4-3360	Oxygen-CO2 mixture	880	1/2" NGT
P890-4-4-3360	Oxygen-Helium mixture	890	1/2" NGT
P910-4-1-3360	Nitrous Oxide	910	1/2" NGT
P930-4-4-3360	Helium	930	1/2" NGT
P940-4-1-3360	Carbon Dioxide	940	1/2" NGT
P950-4-4-3360	Medical Air	950	.750-16UNF2A
P960-4-4-3360	Nitrogen	960	1/2" NGT
P965-4-4-3360	Nitrous Oxide - Oxygen mixture	965	1/2" NGT
P973-4-4-3360	Medical Gas Mixtures	973	1/2" NGT

All valves are supplied with safety relief devices as specified by the Compressed Gas Association Standard S1.1. Safety relief devices are flush style CG-4 devices backed by 165 F fuse metal, except valves specified for Carbon Dioxide (CGA 940) and Nitrous Oxide (CGA 940), where a CG-1 hex style pressure relief device without fuse metal is required.

All valves are supplied with rupture discs rated for cylinders with a service pressure of 2,015 psig. Rupture discs rated for other cylinder service pressures are available upon request.

Optional Features:

Chrome Plated Toggle Example: P870-4-4-3360 changes to P870-4-4-3360T



HARRISON

www.HarrisonValve.com

Medical Pin Index Valves

O-Ring Seal Technology for all Medical Gases

HARRISON

PRECISION VALVE PRODUCTS

Yoke Outlet Pin Index System Connection Straight, Parallel Threads for Aluminum Cylinders

KEY FEATURES:

- O-ring seal technology provides superior leak integrity.
- Easy operation under all pressures.
- Protective and attractive chrome plated finish.
- 100% leak testing on entire production.
- Meets and exceeds CGA V9 and ISO 10297.
- Passed stringent adiabatic oxygen compression testing per ISO 10297.
- All valves bagged and tagged for oxygen service per CGA G4.1.
- All valves pre-drilled to accept aftermarket toggle device.
- All straight thread inlet valves are supplied with cylinder sealing o-ring.
- All valves are supplied with protective caps on inlet threads.

Part Number	Gas Service / Description	CGA	Inlet
P870-3-4-3360	Oxygen	870	.750-16UNF2A
P870-3-4-3360T	Oxygen with toggle	870	.750-16UNF2A
P870-3-4-3360Z	Oxygen with "Z" valve hand knob	870	.750-16UNF2A
P880-3-4-3360	Oxygen-CO2 mixture	880	.750-16UNF2A
P890-3-4-3360	Oxygen-Helium mixture	890	.750-16UNF2A
P910-3-1-3360	Nitrous Oxide	910	.750-16UNF2
P930-3-4-3360	Helium	930	.750-16UNF2A
P940-3-1-3360	Carbon Dioxide	940	.750-16UNF2A
P950-3-4-3360	Medical Air	950	.750-16UNF2A
P960-3-4-3360	Nitrogen	960	.750-16UNF2A
P965-3-4-3360	Nitrous Oxide - Oxygen mixture	965	.750-16INF2A
P973-3-4-3360	Medical Gas Mixtures	973	.750-16UNF2A

All valves are supplied with safety relief devices as specified by the Compressed Gas Association Standard S1.1. Safety relief devices are flush style CG-4 devices backed by 165 F fuse metal, except valves specified for Carbon Dioxide (CGA 940) and Nitrous Oxide (CGA 940), where a CG-1 hex style pressure relief device without fuse metal is required.

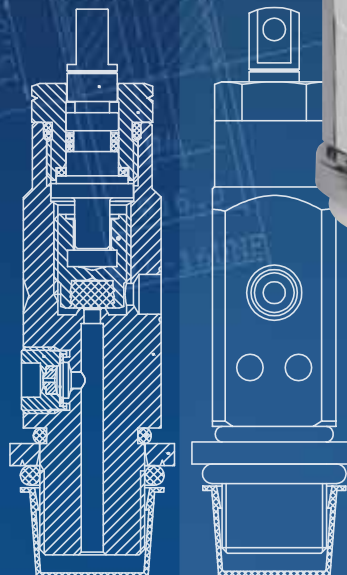
All valves are supplied with rupture discs rated for cylinders with a service pressure of 2,015 psig. Rupture discs rated for other cylinder service pressures are available upon request.

Optional Features:

Z Valve Handknob Example: P870-3-4-3360 changes to P870-4-3-3360Z

Chrome Plated Toggle Example: P870-3-4-3360 changes to P870-4-3-3360T

Gauge Port Example: P870-3-4-3360 changes to P870-4-3-3360G



HARRISON

www.HarrisonValve.com