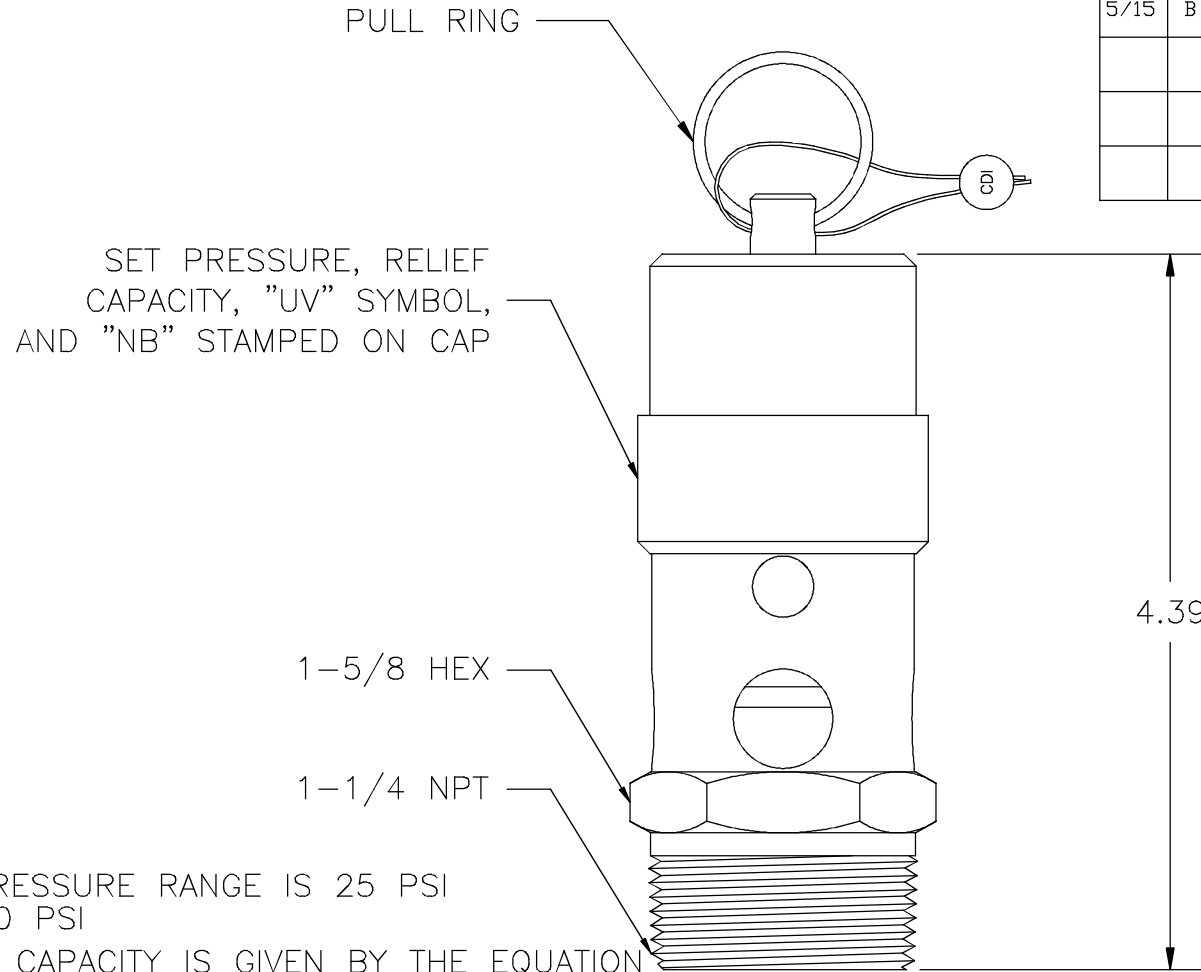


THIS DOCUMENT CONTAINS PROPRIETARY AND CONFIDENTIAL INFORMATION OF CONTROL DEVICES INC. AND MUST BE USED STRICTLY IN ACCORDANCE WITH THE LIMITED PURPOSE FOR WHICH IT WAS SUBMITTED. ANY REPRODUCTION, DISCLOSURE OR USE OF THIS DOCUMENT IS EXPRESSLY PROHIBITED, EXCEPT AS OTHERWISE AGREED IN WRITING.

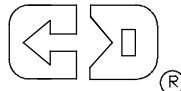
DATE	SYM	REVISION RECORD	ECN NO.	CK.
7/05	A	RELEASE TO PRODUCTION	05-338	
5/15	B	UPDATED TITLE BLOCK	15-164	



NOTES

1. SET PRESSURE RANGE IS 25 PSI TO 300 PSI
2. RELIEF CAPACITY IS GIVEN BY THE EQUATION  
 $Q = 6.92(1.1P + 14.7)$ , WHERE  
 Q = RELIEF CAPACITY IN SCFM, AND  
 P = SET PRESSURE IN PSIG
3. MATERIALS OF CONSTRUCTION:  
 BODY, ROD, DISK, ADJUSTMENT SCREW, CAP - BRASS  
 SPRING, PULL RING - STAINLESS STEEL  
 O-RING - SILICONE OR FLUOROCARBON RUBBER  
 SEAL - LEAD
4. MAX TEMPERATURE - 250° F
5. ORIFICE DIA. = .765

ALL DIMENSIONS ARE IN INCHES.

TOLERANCES (EXCEPT AS NOTED)		 <b>control devices LLC</b> 1555 LARKIN WILLIAMS ROAD FENTON, MISSOURI 63026			
DECIMAL +	MATERIAL	SCALE	SIZE	DRAWN BY RMH	
FRACTIONAL +		3/4X	A	APPROVED BY	
ANGULAR +	TITLE VALVE, ASME SAFETY, 1-1/4 NPT				
DATE 8/16/96	CAD FILE		DRAWING NUMBER SW12		
Q:\Engr\DOC\Drwgs\Outline Drwgs- contr\SW12.DWG			Rev. B		