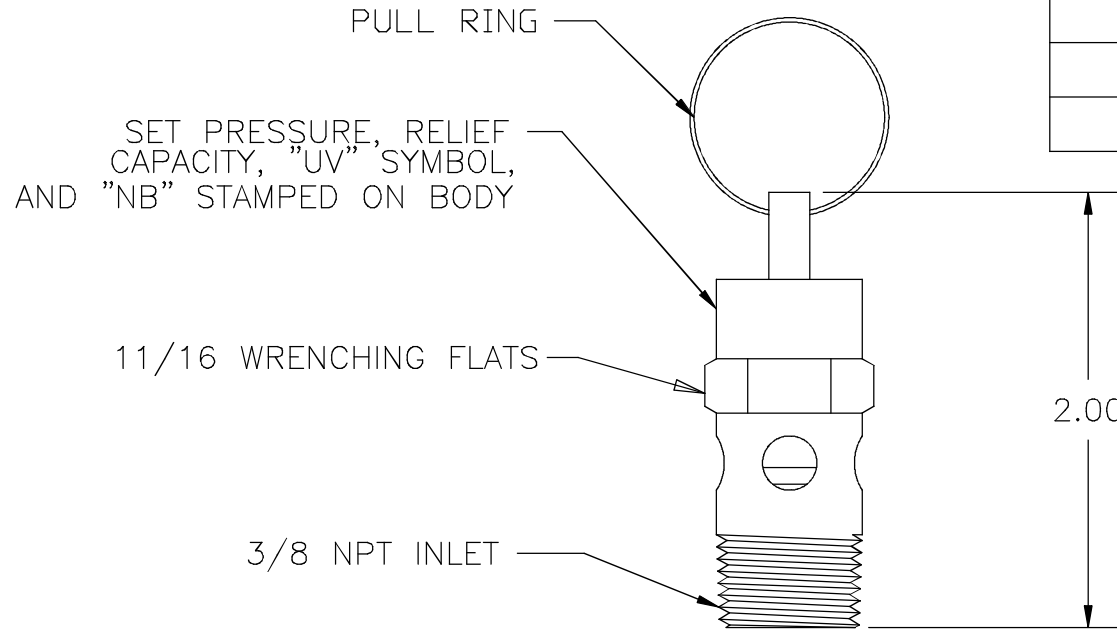


THIS DOCUMENT CONTAINS PROPRIETARY AND CONFIDENTIAL INFORMATION OF CONTROL DEVICES INC. AND MUST BE USED STRICTLY IN ACCORDANCE WITH THE LIMITED PURPOSE FOR WHICH IT WAS SUBMITTED. ANY REPRODUCTION, DISCLOSURE OR USE OF THIS DOCUMENT IS EXPRESSLY PROHIBITED, EXCEPT AS OTHERWISE AGREED IN WRITING.

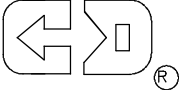
DATE	SYM	REVISION RECORD	ECN NO.	CK.
3/94	A	REDRAWN ON AUTOCAD		
5/15	B	ADDED NOTE 5, UPDATED TITLE BLOCK 15-164		



1. SET PRESSURE RANGE IS 25 PSI TO 350 PSI.
2. RELIEF CAPACITY IS GIVEN BY THE EQUATION

$$Q = .759(1.1P + 14.7)$$
 WHERE
 Q = RELIEF CAPACITY IN SCFM, AND
 P = SET PRESSURE IN PSI
3. MATERIALS OF CONSTRUCTION
 BODY, ROD, CUP, SCREW--BRASS
 SPRING--MUSIC WIRE
 PAD--SILICONE OR FLUOROCARBON RUBBER
 PULL RING--STAINLESS STEEL
4. MAX TEMPERATURE 250° F
5. ORIFICE DIAMETER: .250

ALL DIMENSIONS ARE IN INCHES.

TOLERANCES (EXCEPT AS NOTED)		 control devices LLC 1555 LARKIN WILLIAMS ROAD FENTON, MISSOURI 63026			
DECIMAL +	—				
FRACTIONAL +	—	MATERIAL	SCALE FULL	SIZE A	DRAWN BY RMH
ANGULAR +	—	TITLE VALVE, ASME SAFETY, 3/8 NPT			
DATE 10/3/90	CAD FILE	DRAWING NUMBER ST33			
C:\ACADWIN\PARTDWGS\ST2533.DWG				REV B	