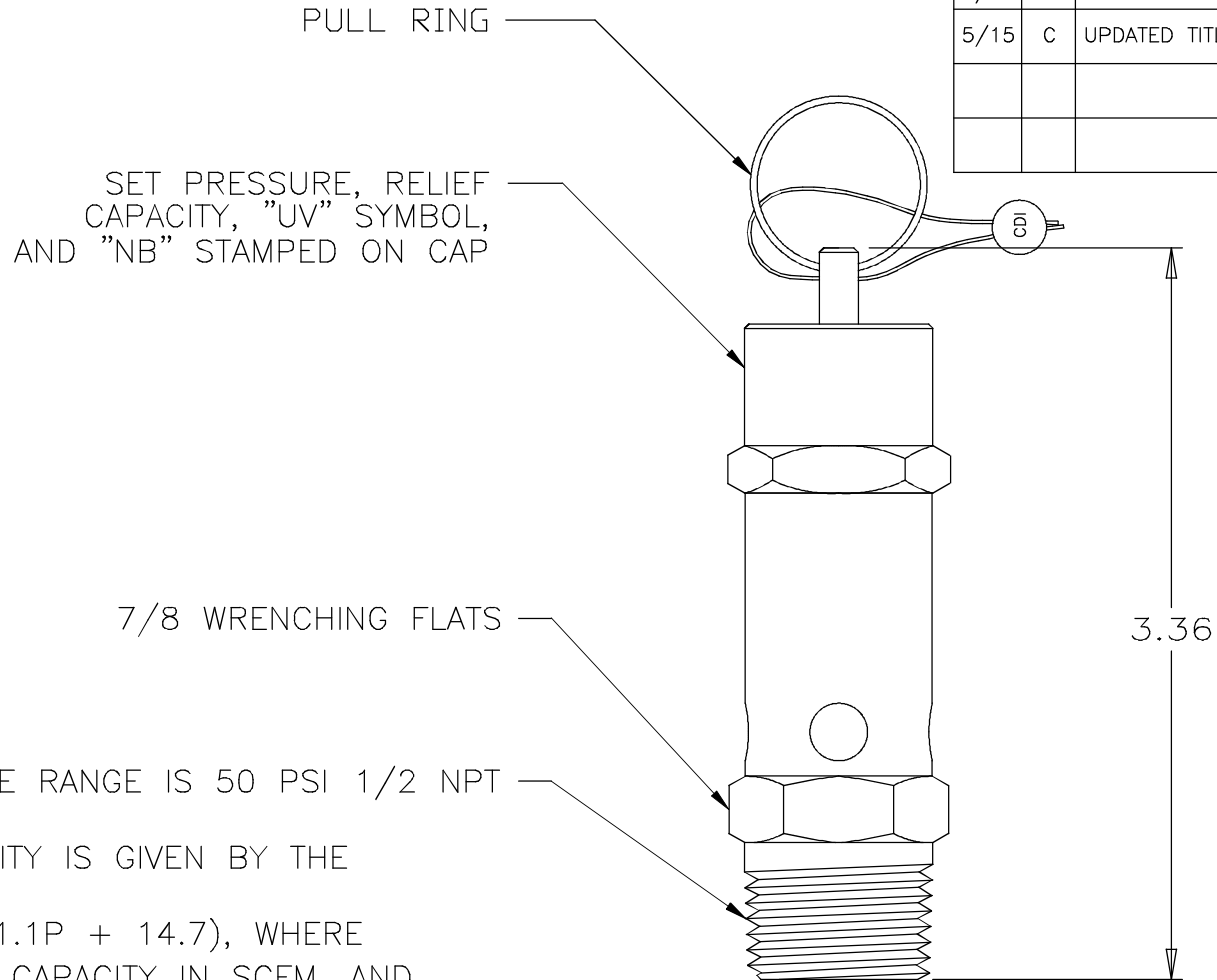


THIS DOCUMENT CONTAINS PROPRIETARY AND CONFIDENTIAL INFORMATION OF CONTROL DEVICES INC. AND MUST BE USED STRICTLY IN ACCORDANCE WITH THE LIMITED PURPOSE FOR WHICH IT WAS SUBMITTED. ANY REPRODUCTION, DISCLOSURE OR USE OF THIS DOCUMENT IS EXPRESSLY PROHIBITED, EXCEPT AS OTHERWISE AGREED IN WRITING.

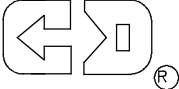
DATE	SYM	REVISION RECORD	ECN NO.	CK.
3/94	A	REDRAWN ON AUTOCAD		
7/05	B	ADDED NOTE 5	05-334	
5/15	C	UPDATED TITLE BLOCK	15-164	



NOTES

1. SET PRESSURE RANGE IS 50 PSI 1/2 NPT TO 250 PSI
2. RELIEF CAPACITY IS GIVEN BY THE EQUATION
 $Q = 1.526(1.1P + 14.7)$, WHERE
 Q = RELIEF CAPACITY IN SCFM, AND
 P = SET PRESSURE IN PSIG
3. MATERIALS OF CONSTRUCTION:
 BODY, NUT, CAP, ADJ. SCREW,
 ROD, DISC -- BRASS
 SPRING -- ZINC PLATED MUSIC WIRE
 PULL RING -- STAINLESS STEEL
 PAD -- SILICONE OR FLUOROCARBON RUBBER
 SEAL -- LEAD
4. MAX TEMPERATURE 250° F
5. ORIFICE DIA. = .375

ALL DIMENSIONS ARE IN INCHES.

TOLERANCES (EXCEPT AS NOTED)		 control devices LLC 1555 LARKIN WILLIAMS ROAD FENTON, MISSOURI 63026			
DECIMAL ± .005	FRACTIONAL ± .015	DATE 2/12/93	MATERIAL	SCALE FULL	SIZE A
ANGULAR ± 2°	TITLE VALVE, ASME SAFETY, 1/2 NPT				
CAD FILE Q:\Engr\DOC\Drwgs\Outline Drwgs- contr\SF50.DWG			DRAWING NUMBER SF50		DRAWN BY RMH
			APPROVED BY		REV C