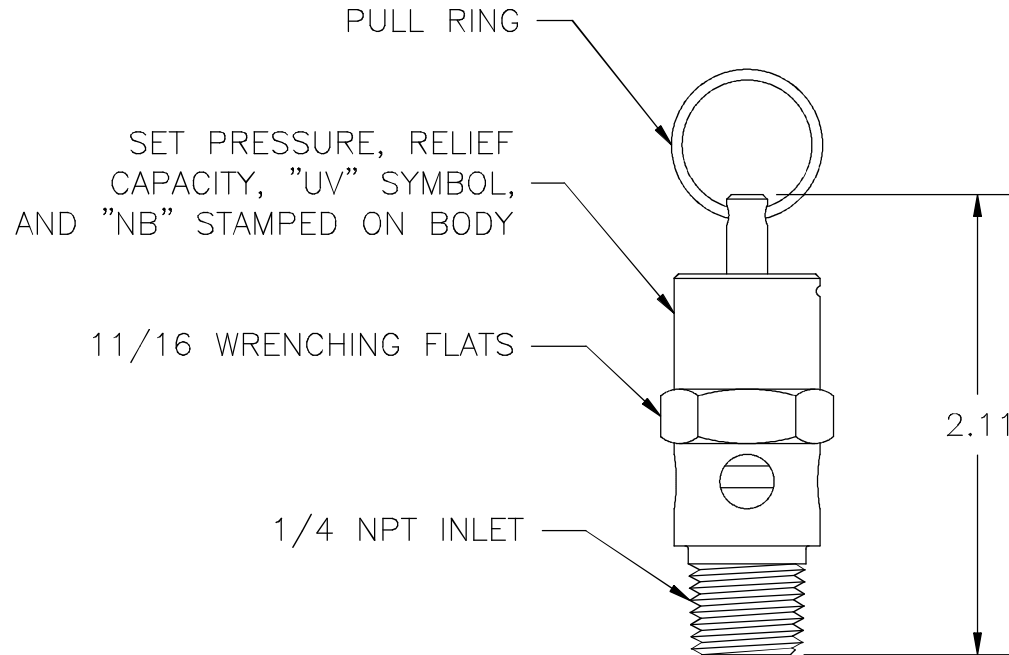


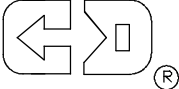
THIS DOCUMENT CONTAINS PROPRIETARY AND CONFIDENTIAL INFORMATION OF CONTROL DEVICES INC. AND MUST BE USED STRICTLY IN ACCORDANCE WITH THE LIMITED PURPOSE FOR WHICH IT WAS SUBMITTED. ANY REPRODUCTION, DISCLOSURE OR USE OF THIS DOCUMENT IS EXPRESSLY PROHIBITED, EXCEPT AS OTHERWISE AGREED IN WRITING.

DATE	SYM	REVISION RECORD	ECN NO.	CK.
7/05	A	RELEASED TO PRODUCTION		
5/15	B	UPDATED TITLE BLOCK	15-164	



NOTES

1. SET PRESSURE RANGE IS 50 TO 350 PSIG.
2. RELIEF CAPACITY IS GIVEN BY THE EQUATION
 $Q = .716(1.1P + 14.7)$, WHERE
 Q = RELIEF CAPACITY IN SCFM, AND
 P = SET PRESSURE IN PSIG
3. MATERIALS OF CONSTRUCTION
 BODY, ROD/CUP, SCREW - BRASS
 SPRING - STAINLESS STEEL
 BALL - STAINLESS STEEL
 PULL RING - STAINLESS STEEL
4. MAX TEMPERATURE 400° F
5. ORIFICE DIA. = .250 IN

TOLERANCES (EXCEPT AS NOTED)		 control devices LLC 1555 LARKIN WILLIAMS ROAD FENTON, MISSOURI 63026			
DECIMAL +	MATERIAL	SCALE	SIZE	DRAWN BY RMH	
FRACTIONAL +		FULL	A	APPROVED BY	
ANGULAR +	TITLE VALVE, ASME SAFETY, 1/4 NPT				
DATE 3/14/96	CAD FILE	DRAWING NUMBER SA25 Rev B			
ALL DIMENSIONS ARE IN INCHES.		Q:\Engr\DOC\Drwgs\Outline Drwgs- contr\SA25.DWG			