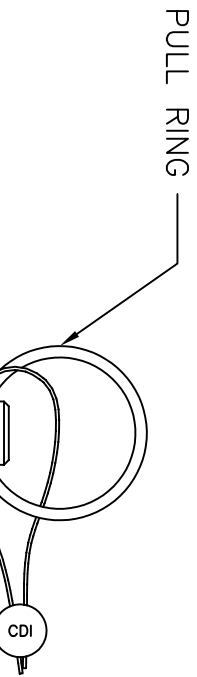
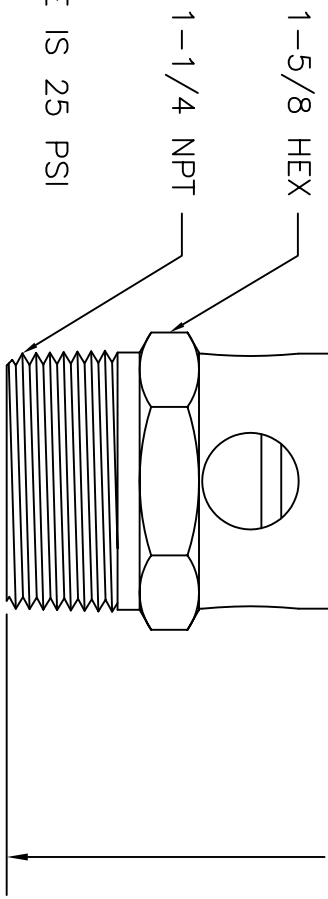


THIS DOCUMENT CONTAINS PROPRIETARY AND CONFIDENTIAL INFORMATION OF CONTROL DEVICES INC. AND MUST BE USED STRICTLY IN ACCORDANCE WITH THE LIMITED PURPOSE FOR WHICH IT WAS SUBMITTED. ANY REPRODUCTION, DISCLOSURE OR USE OF THIS DOCUMENT IS EXPRESSLY PROHIBITED, EXCEPT AS OTHERWISE AGREED IN WRITING.



SET PRESSURE, RELIEF CAPACITY, "UV" SYMBOL, AND "NB" STAMPED ON CAP



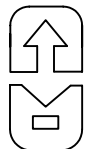
NOTES

1. SET PRESSURE RANGE IS 25 PSI TO 300 PSI
2. RELIEF CAPACITY IS GIVEN BY THE EQUATION
 $Q = 6.92(1.1P + 14.7)$, WHERE
 Q = RELIEF CAPACITY IN SCFM, AND
 P = SET PRESSURE IN PSIG
3. MATERIALS OF CONSTRUCTION:
 BODY, ROD, DISK, ADJUSTMENT SCREW, CAP - BRASS
 SPRING, PULL RING - STAINLESS STEEL
 O-RING - SILICONE OR FLUOROCARBON RUBBER
 SEAL - LEAD RUBBER

4. MAX TEMPERATURE - 250° F

ALL DIMENSIONS ARE IN INCHES.

DATE	SYM	REVISION RECORD	ECN NO.	CK.

TOLERANCES (EXCEPT AS NOTED)		 control devices inc. 711 HANLEY INDUSTRIAL COURT ST. LOUIS, MISSOURI 63144				
DECIMAL	+					
FRACTIONAL	+	MATERIAL	SCALE	SIZE	DRAWN BY	
ANGULAR	+		3/4X	A	RMH	
DATE	8/16/96	TITLE	VALVE, ASME SAFETY, 1-1/4 NPT			
CAD FILE		DRAWING NUMBER				
Q:\ENGR\PARTDWS\SW12.DWG		SW12				