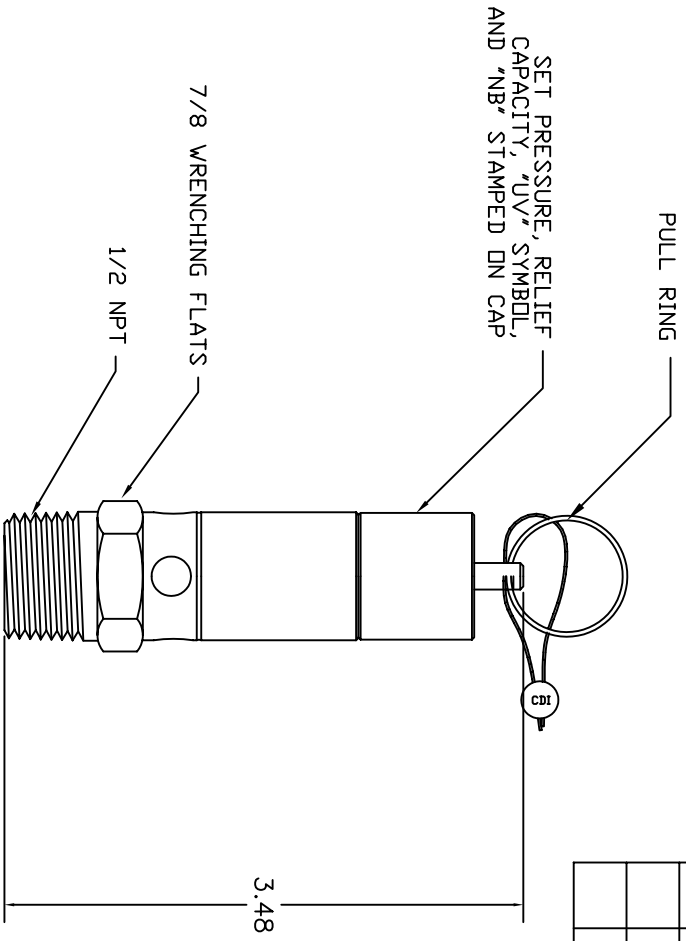


THIS DOCUMENT CONTAINS PROPRIETARY AND CONFIDENTIAL INFORMATION OF CONTROL DEVICES INC. AND MUST BE USED STRICTLY IN ACCORDANCE WITH THE LIMITED PURPOSE FOR WHICH IT WAS SUBMITTED. ANY REPRODUCTION, DISCLOSURE OR USE OF THIS DOCUMENT IS EXPRESSLY PROHIBITED, EXCEPT AS OTHERWISE AGREED IN WRITING.

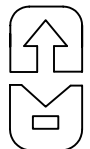
DATE	SYM	REVISION RECORD	ECN NO.	CK.
6/03	A	REDRAWN DN AUTOCAD		



NOTES

1. AVAILABLE SET PRESSURE RANGE 50 TO 350 PSI
2. FLOW CAPACITY IS GIVEN BY EQUATION:

$$Q = (1.75)(1.1P + 14.7)$$
 WHERE:
 Q = RELIEF CAPACITY IN SCFM, AND
 P = SET PRESSURE IN PSIG
3. MATERIALS OF CONSTRUCTION:
 BODY, NUT, CAP, ADJ. SCREW,
 ROD, DISC --- BRASS
 SPRING --- STAINLESS STEEL
 PULL RING --- STAINLESS STEEL
 BALL --- STAINLESS STEEL
 SEAL --- LEAD
4. MAXIMUM TEMPERATURE 400 DEG. F.

TOLERANCES (EXCEPT AS NOTED)		 control devices inc. 711 HANLEY INDUSTRIAL COURT ST. LOUIS, MISSOURI 63144	
DECIMAL	± .005		
FRACTIONAL	± .015	MATERIAL	AS NOTED
ANGULAR	± 2°	SCALE	FULL
DATE	6/10/03	SIZE	A
CAD FILE		DRAWING NUMBER	
C:\ACAD\WIN\PARTDWS\SN50.DWG		SN50	
TITLE ASME SAFETY VALVE			
		DRAWN BY pfr	
		APPROVED BY	

ALL DIMENSIONS ARE IN INCHES.