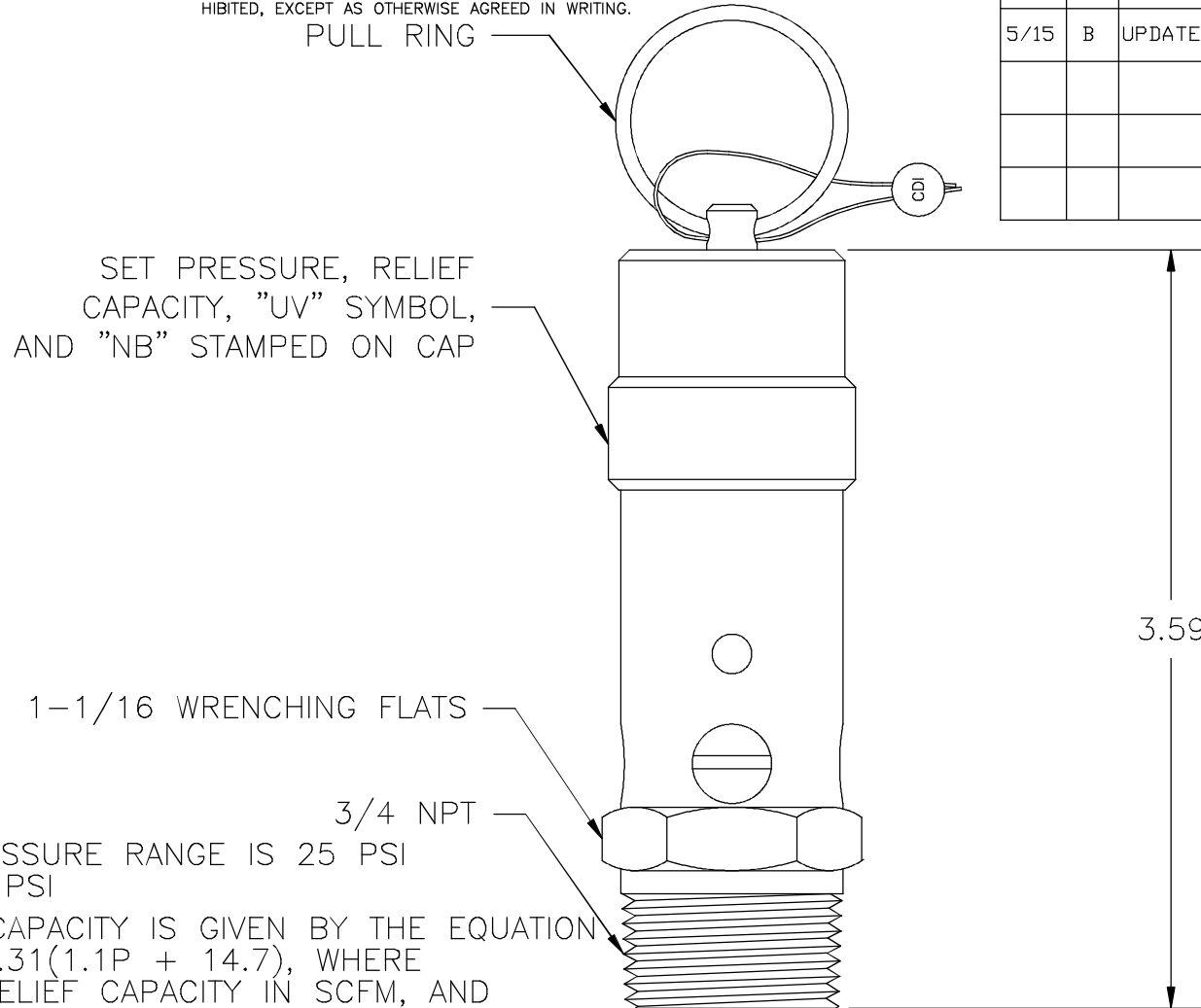


THIS DOCUMENT CONTAINS PROPRIETARY AND CONFIDENTIAL INFORMATION OF CONTROL DEVICES INC. AND MUST BE USED STRICTLY IN ACCORDANCE WITH THE LIMITED PURPOSE FOR WHICH IT WAS SUBMITTED. ANY REPRODUCTION, DISCLOSURE OR USE OF THIS DOCUMENT IS EXPRESSLY PROHIBITED, EXCEPT AS OTHERWISE AGREED IN WRITING.

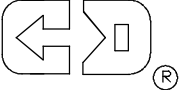
DATE	SYM	REVISION RECORD	ECN NO.	CK.
7/05	A	RELEASE TO PRODUCTION	05-336	
5/15	B	UPDATED TITLE BLOCK	15-164	



NOTES

1. SET PRESSURE RANGE IS 25 PSI TO 300 PSI
2. RELIEF CAPACITY IS GIVEN BY THE EQUATION
 $Q = 3.31(1.1P + 14.7)$, WHERE
 Q = RELIEF CAPACITY IN SCFM, AND
 P = SET PRESSURE IN PSIG
3. MATERIALS OF CONSTRUCTION:
 BODY, ROD, DISK, ADJUSTMENT SCREW, CAP - BRASS
 SPRING, PULL RING - STAINLESS STEEL
 O-RING - SILICONE OR FLUOROCARBON RUBBER
 SEAL - LEAD
4. MAX TEMPERATURE - 250° F
5. ORIFICE DIA. = .531 in

ALL DIMENSIONS ARE IN INCHES.

TOLERANCES (EXCEPT AS NOTED)		 control devices LLC 1555 LARKIN WILLIAMS ROAD FENTON, MISSOURI 63026			
DECIMAL	+				
FRACTIONAL	+	MATERIAL	SCALE	SIZE	DRAWN BY
ANGULAR	+		1X	A	RMH
DATE	7/26/96	TITLE			
		VALVE, ASME SAFETY, 3/4 NPT			
		CAD FILE	DRAWING NUMBER		
		Q:\Engr\DOC\Drwgs\Outline Drwgs- contr\SB75.DWG	SB75 Rev B		