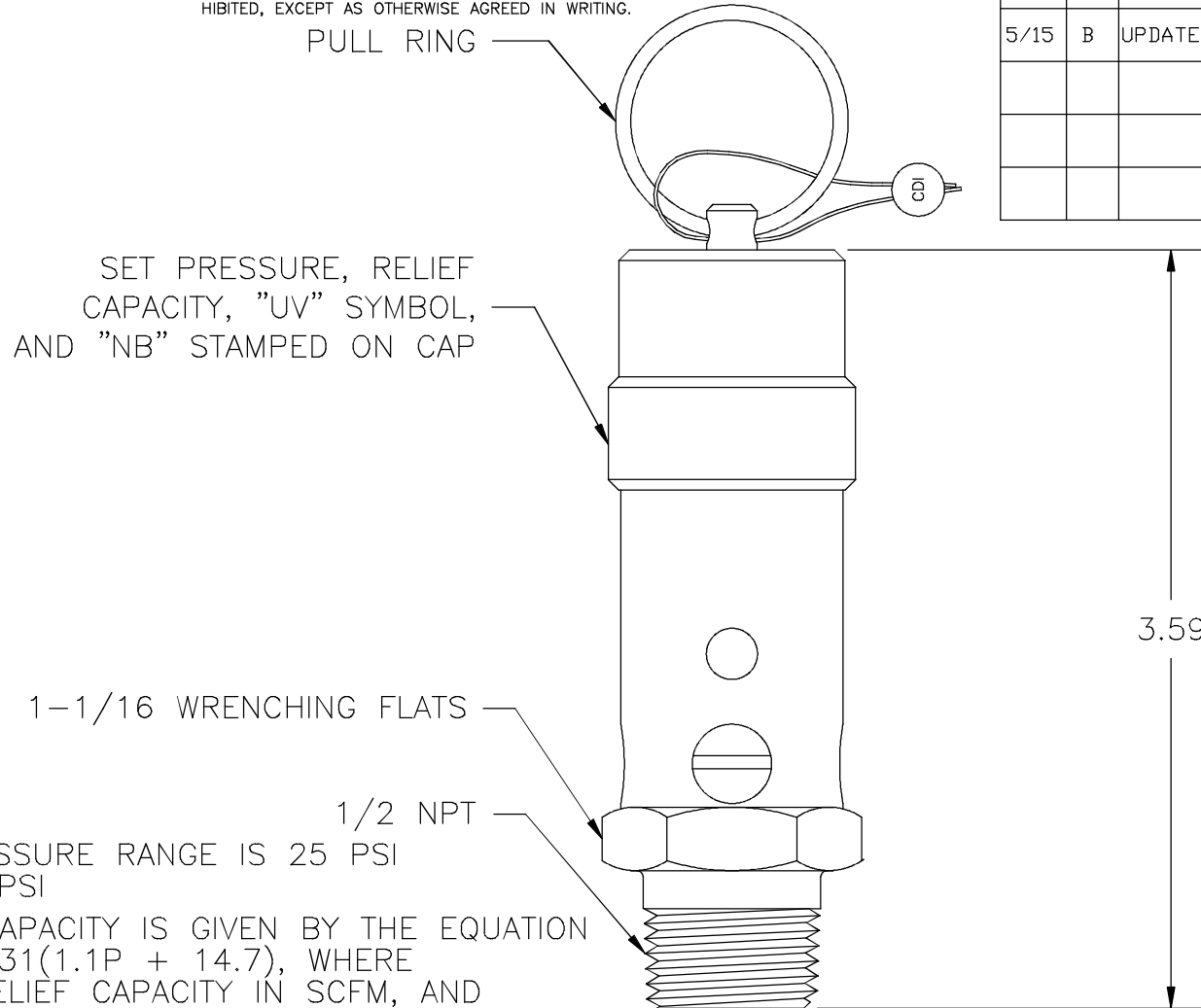


THIS DOCUMENT CONTAINS PROPRIETARY AND CONFIDENTIAL INFORMATION OF CONTROL DEVICES INC. AND MUST BE USED STRICTLY IN ACCORDANCE WITH THE LIMITED PURPOSE FOR WHICH IT WAS SUBMITTED. ANY REPRODUCTION, DISCLOSURE OR USE OF THIS DOCUMENT IS EXPRESSLY PROHIBITED, EXCEPT AS OTHERWISE AGREED IN WRITING.

DATE	SYM	REVISION RECORD	ECN NO.	CK.
7/05	A	ADDED NOTE 5	05-335	
5/15	B	UPDATED TITLE BLOCK	15-164	

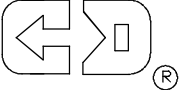


NOTES

1. SET PRESSURE RANGE IS 25 PSI TO 300 PSI
2. RELIEF CAPACITY IS GIVEN BY THE EQUATION  $Q = 3.31(1.1P + 14.7)$ , WHERE Q = RELIEF CAPACITY IN SCFM, AND P = SET PRESSURE IN PSIG
3. MATERIALS OF CONSTRUCTION:  
 BODY, ROD, DISK, ADJUSTMENT SCREW, CAP - BRASS  
 SPRING, PULL RING - STAINLESS STEEL  
 O-RING - SILICONE OR FLUOROCARBON RUBBER  
 SEAL - LEAD

4. MAX TEMPERATURE - 250° F
5. ORIFICE DIA. = .531

ALL DIMENSIONS ARE IN INCHES.

TOLERANCES (EXCEPT AS NOTED)		 control devices LLC 1555 LARKIN WILLIAMS ROAD FENTON, MISSOURI 63026			
DECIMAL +	MATERIAL	SCALE	SIZE	DRAWN BY	
FRACTIONAL +		1X	A	RMH	
ANGULAR +	TITLE				
DATE	VALVE, ASME SAFETY, 1/2 NPT				
7/26/96	CAD FILE	DRAWING NUMBER			
	Q:\Engr\DOC\Drwgs\Outline Drwgs- contr\SB50.DWG	SB50		Rev B	