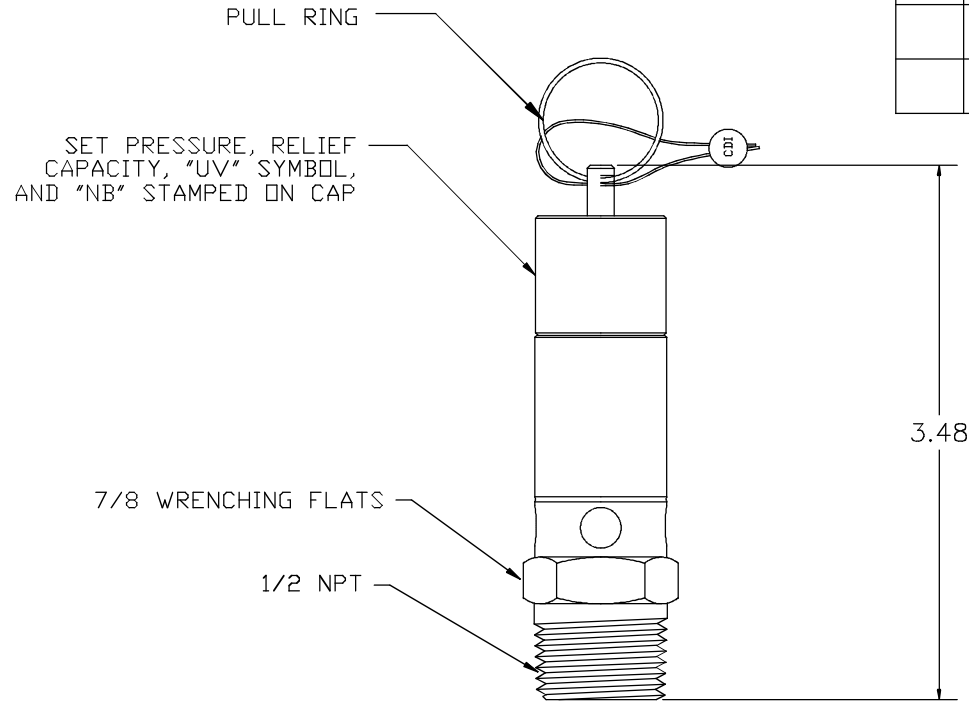


THIS DOCUMENT CONTAINS PROPRIETARY AND CONFIDENTIAL INFORMATION OF CONTROL DEVICES INC. AND MUST BE USED STRICTLY IN ACCORDANCE WITH THE LIMITED PURPOSE FOR WHICH IT WAS SUBMITTED. ANY REPRODUCTION, DISCLOSURE OR USE OF THIS DOCUMENT IS EXPRESSLY PROHIBITED, EXCEPT AS OTHERWISE AGREED IN WRITING.

DATE	SYM	REVISION RECORD	ECN NO.	CK.
6/03	A	REDRAWN ON AUTOCAD		
7/05	B	ADDED NOTE 5	05-333	
5/15	C	UPDATED TITLE BLOCK	15-164	

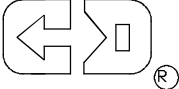


NOTES

1. AVAILABLE SET PRESSURE RANGE 50 TO 350 PSI
2. FLOW CAPACITY IS GIVEN BY EQUATION:  

$$Q = (1.75)(1.1P + 14.7)$$
 WHERE:  
 Q = RELIEF CAPACITY IN SCFM, AND  
 P = SET PRESSURE IN PSIG
3. MATERIALS OF CONSTRUCTION:  
 BODY, NUT, CAP, ADJ. SCREW,  
 ROD, DISC -- BRASS  
 SPRING -- STAINLESS STEEL  
 PULL RING -- STAINLESS STEEL  
 BALL -- STAINLESS STEEL BALL  
 SEAL -- LEAD
4. MAXIMUM TEMPERATURE 400 DEG. F.
5. ORIFICE DIA. = .375

ALL DIMENSIONS ARE IN INCHES.

TOLERANCES (EXCEPT AS NOTED)		 control devices LLC 1555 LARKIN WILLIAMS ROAD FENTON, MISSOURI 63026			
DECIMAL + .005	FRACTIONAL + .015	MATERIAL AS NOTED	SCALE FULL	SIZE A	DRAWN BY pfr
ANGULAR + 2°	DATE 6/10/03	TITLE ASME SAFETY VALVE			APPROVED BY
CAD FILE Q:\Engr\DDC\Drwgs\Outline Drwgs- contr\SN50.DWG			DRAWING NUMBER SN50		
			REV. C		