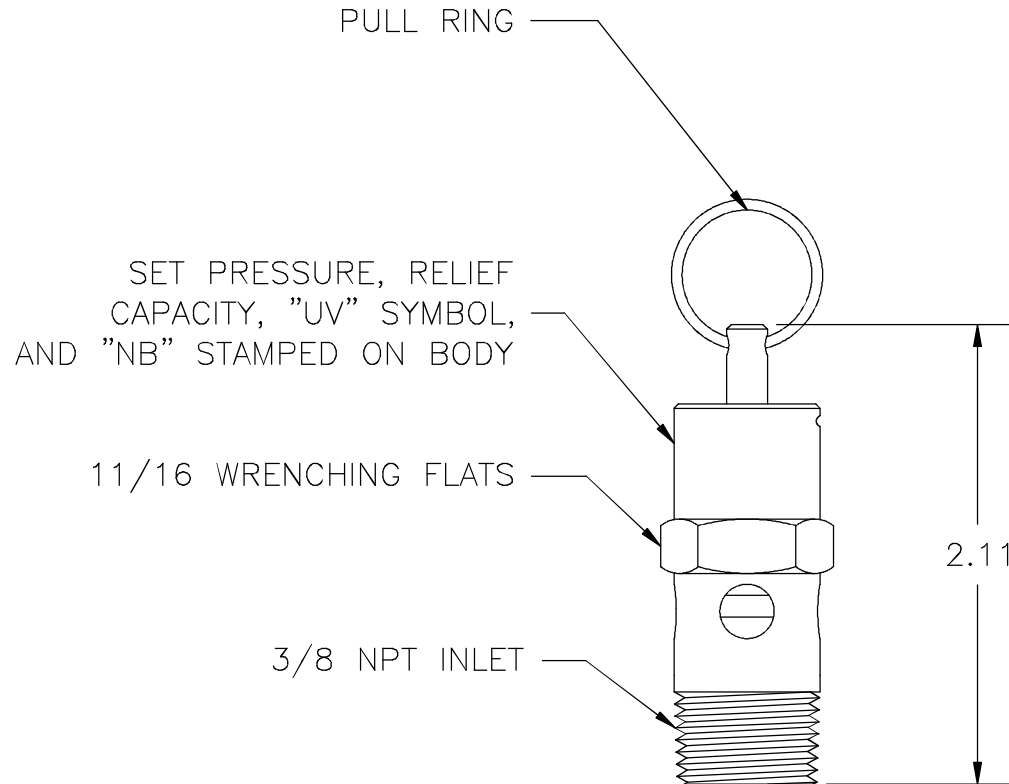


THIS DOCUMENT CONTAINS PROPRIETARY AND CONFIDENTIAL INFORMATION OF CONTROL DEVICES INC. AND MUST BE USED STRICTLY IN ACCORDANCE WITH THE LIMITED PURPOSE FOR WHICH IT WAS SUBMITTED. ANY REPRODUCTION, DISCLOSURE OR USE OF THIS DOCUMENT IS EXPRESSLY PROHIBITED, EXCEPT AS OTHERWISE AGREED IN WRITING.

DATE	SYM	REVISION RECORD	ECN NO.	CK.
7/05	A	RELEASED TO PRODUCTION	05-331	
5/15	B	UPDATED TITLE BLOCK	15-164	

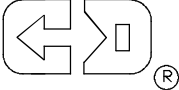


NOTES

1. SET PRESSURE RANGE IS 50 TO 350 PSIG.
2. RELIEF CAPACITY IS GIVEN BY THE EQUATION  

$$Q = .716(1.1P + 14.7)$$
 WHERE  
 Q = RELIEF CAPACITY IN SCFM, AND  
 P = SET PRESSURE IN PSIG
3. MATERIALS OF CONSTRUCTION  
 BODY, ROD/CUP, SCREW - BRASS  
 SPRING - STAINLESS STEEL  
 BALL - STAINLESS STEEL  
 PULL RING - STAINLESS STEEL
4. MAX TEMPERATURE 400° F
5. MAX INSTALLATION TORQUE = 20 FT LBS
6. ORIFICE DIA. = .250 IN

ALL DIMENSIONS ARE IN INCHES.

TOLERANCES (EXCEPT AS NOTED)		 <b>control devices LLC</b> 1555 LARKIN WILLIAMS ROAD FENTON, MISSOURI 63026			
DECIMAL +	—				
FRACTIONAL +	—	APPROVED BY			
ANGULAR +	—	TITLE VALVE, ASME SAFETY, 3/8 NPT			
DATE 5/7/96	CAD FILE	DRAWING NUMBER SA38			
Q:\Engr\DOC\Drwgs\Outline Drwgs- contr\SA38.DWG		SA38		Rev. B	