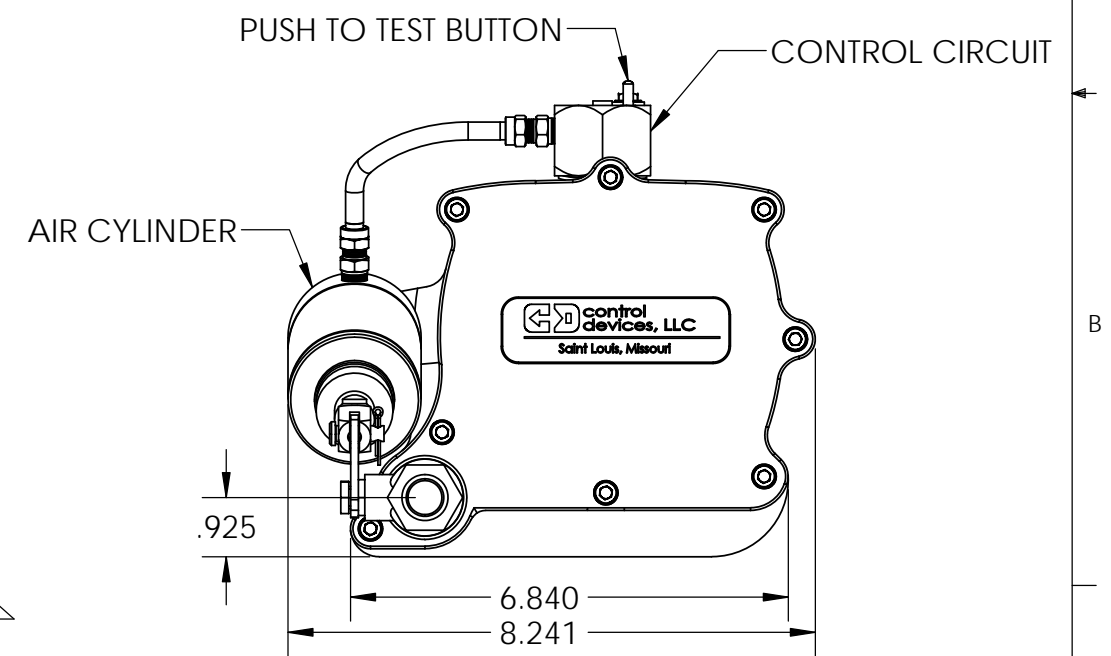
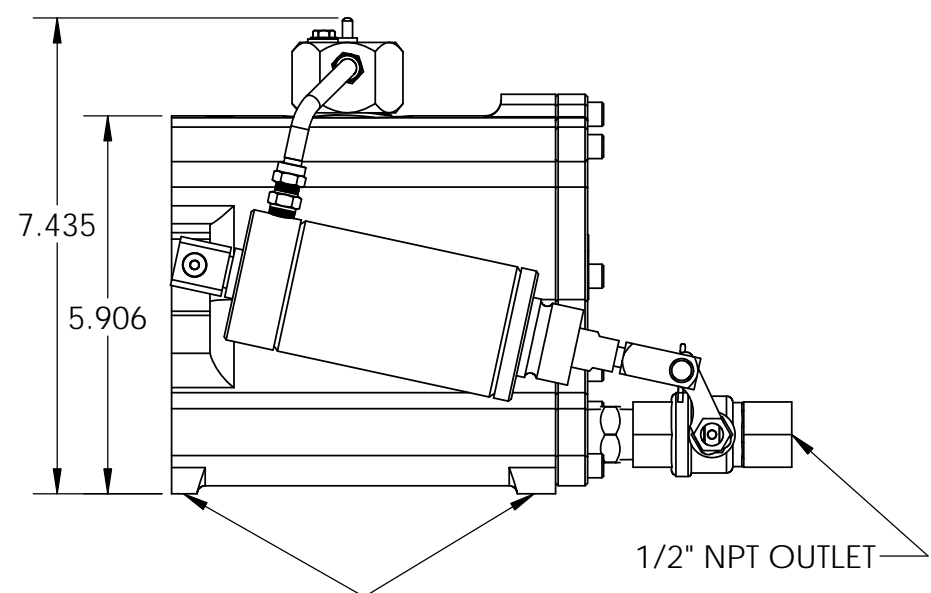
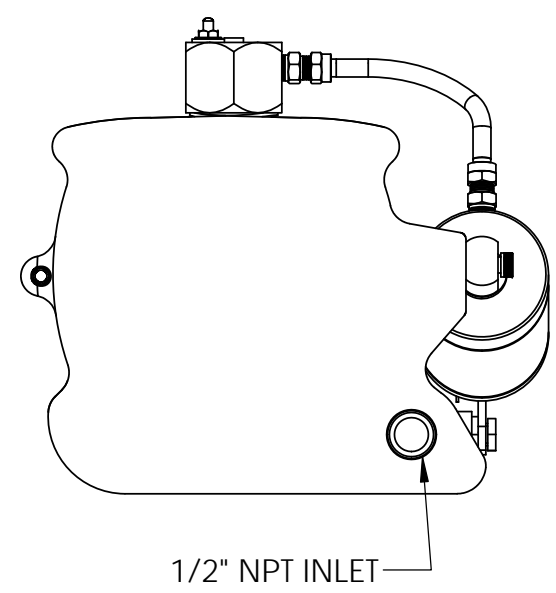
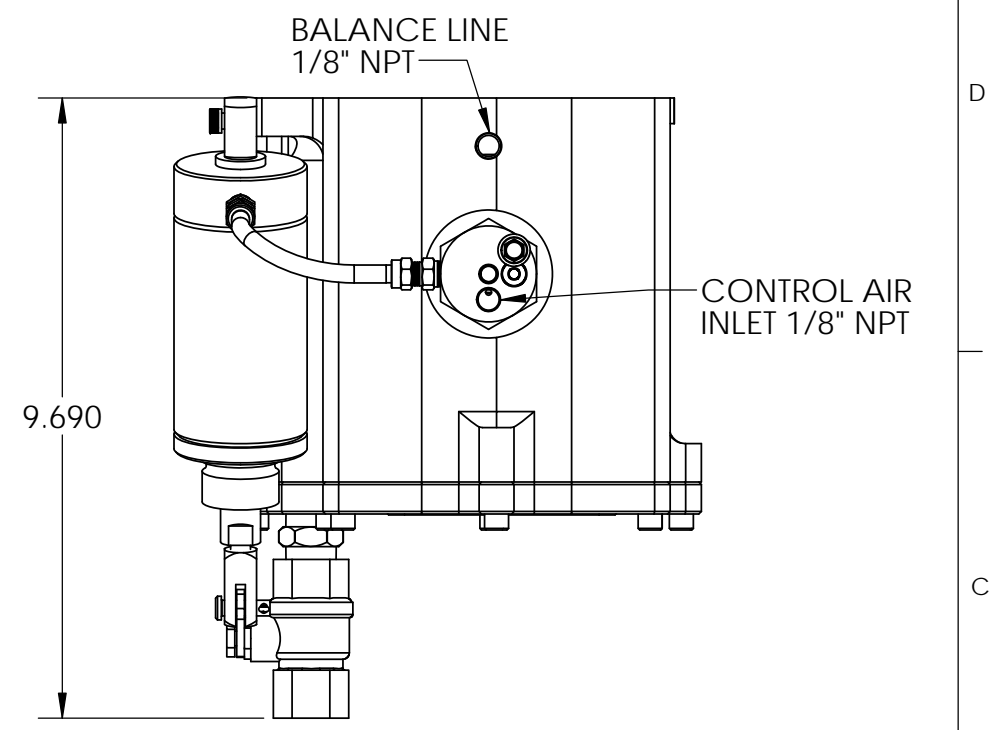
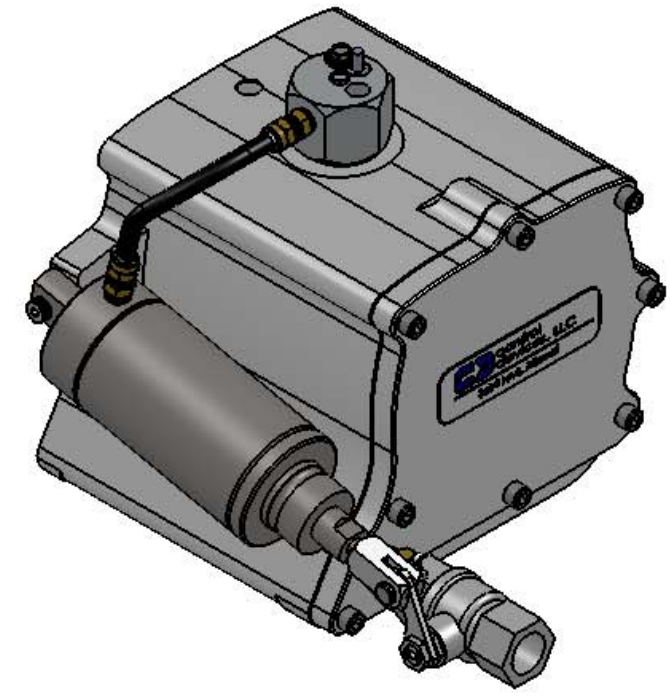


SPECIFICATIONS	
CONTROL CIRCUIT PRESSURE	40-130 PSI
MAX INLET PRESSURE	200 PSI
TRIGGER POINT	~4.7"
CAPACITY	UP TO 100 HP
MATERIALS OF CONSTRUCTION	
BODY AND ENDPLATE	ANODIZED ALUMINUM
CONTROL CIRCUIT	ALUMINUM
BALL VALVE	BRASS
NIPPLE AND FITTINGS	BRASS
SEALS	FLUOROCARBON
HARDWARE (BOLTS, CELVIS, AND CLEVIS PIN)	ZINC PLATED STEEL
FLOAT	POLYURETHANE
CONTROL LEVER, COTTER PIN AND E-CLIP	STAINLESS STEEL

THIS DOCUMENT CONTAINS PROPRIETARY AND CONFIDENTIAL INFORMATION OF CONTROL DEVICES LLC AND MUST BE USED STRICTLY IN ACCORDANCE WITH THE LIMITED PURPOSE FOR WHICH IT WAS SUBMITTED. ANY REPRODUCTION, DISCLOSURE OR USE OF THIS DOCUMENT IS EXPRESSLY PROHIBITED, EXCEPT AS OTHERWISE AGREED IN WRITING.

REVISIONS			
REV	DESCRIPTION	DATE	ECN NO.
A	RELEASE TO PRODUCTION	8/9/2013	13-401



4X 1/4"-20 MOUNTING LOCATIONS

ITEM NO.	PART OR IDENTIFYING NO.	NOMENCLATURE OR DESCRIPTION	MATERIAL SPECIFICATION	QTY REQD
PARTS LIST				
UNLESS OTHERWISE SPECIFIED DIMENSIONS ARE IN INCHES TOLERANCES ARE:		CAD GENERATED DRAWING, DO NOT MANUALLY UPDATE		
FRACTIONS DECIMALS ANGLES		APPROVALS DATE		
± .XX ±.02 ± 1		DRAWN TMK 5/2/2013		
.XXX ± .005		CHECKED		
MATERIAL		RESP ENG		
FINISH		MFG ENG		
DO NOT SCALE DRAWING		MASS		
		LBS		
		SIZE DWG. NO. LH50-0LAAA		REV A
		SCALE 1:4		SHEET 1 OF 1

Control Devices LLC
1555 LARKIN WILLIAMS ROAD, FENTON MO 63026

COMPACT TRAP ASSEMBLY DRAWING

SIZE DWG. NO. **LH50-0LAAA** REV **A**

SCALE 1:4 SHEET 1 OF 1